

~Japan's Best Hot Spring Town, Kinosaki Onsen~

## Geopark Sea Kayaking on Clear Blue Waters

Just a short train ride from Kinosaki Onsen, Takeno is a beach and seaside town where one can go kayaking on blue waters and enjoy magnificent views. The town's Geopark Sea Kayaking, known locally as "Geo Canoe", is a popular activity offered from spring to autumn.



The activity includes exploring the scenic views of the San'in Coastal Geopark, an area that is a type of natural park containing geological heritage that has great scientific importance and value. The sea off of Takeno Beach has a high level of transparency, making it crystal clear. Taking the kayaks out in the evening and watching the sunset at sea is a particularly breathtaking sight. An instructor will accompany you and guide your tour, making it an activity that anyone can enjoy. The waves are very calm, making for easy yet exciting kayaking through the various scenic spots.

Our website [visitkinosaki.com](http://visitkinosaki.com) currently offers two tour packages, one that includes finishing off the tour with a barbecue set.

[Sea Kayaking Adventure](#)

[Mother Earth's Sea Kayaking Adventure with BBQ Set](#)

\*For inquiries regarding this press release\*

Toyooka Tourism Innovation Point of Contact: Mira Pomerantz ([info@toyooka-tourism.com](mailto:info@toyooka-tourism.com))

tel. (+81) 0796-21-9002 website: [visitkinosaki.com](http://visitkinosaki.com)

A hidden gem along the northern coast of Hyogo Prefecture. This beautiful beach is among the best and ranked in the top 100 beaches in Japan. Its crystal-clear waters have been given top marks by



Japan's Ministry of Environment and they stretch along clean, soft, sandy beaches. Takeno is a quiet fishing town with beautiful nature, friendly residents, and traditional houses. The town features great hiking spots with views of the ocean and the entire town, as well as canoeing and swimming in the summer.

The San'in Coastal Geopark, declared a UNESCO Global Geopark in 2010, stretches from Kyoto Prefecture (Kyotango City) to Hyogo Prefecture (Toyooka City, Kami Town, and Shin'onsen Town) to Tottori Prefecture (Iwami Town and Tottori City). With an area of 2458.44 square kilometers, the Geopark is slightly larger than the Tokyo Metropolitan Area. Takeno's coastal area in the geopark features the Hasakari Rock and Yodo Sea Cave.

Hasakari Rock consists of three rocks that used to be one large rock with a cave that had been eroded by the waves. Further erosion caused the upper part of the cave to collapse and become stuck, creating the current natural "art" formation.

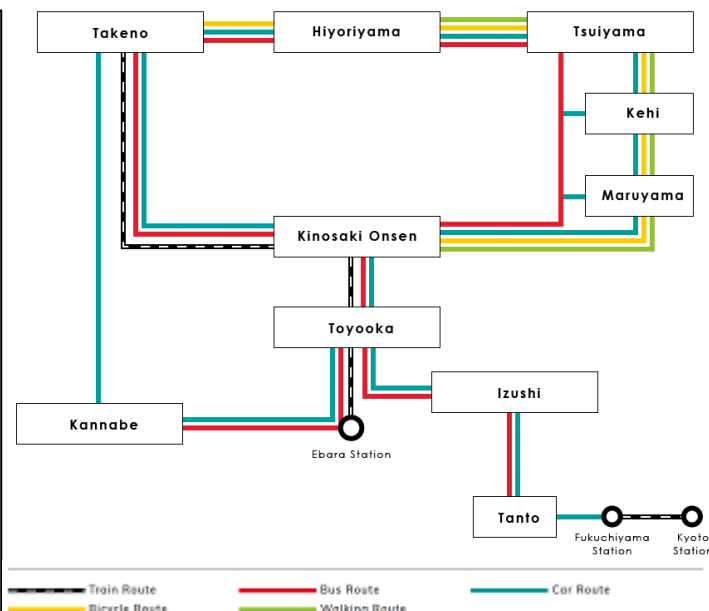


The Yodo Cave is a cave on the water that you can paddle through in your kayak. It is especially pretty when the sun sets.



**Ideal visit plan: 2-3 days in Kinossaki Onsen and its surrounding areas**

- Day 1: Leave Kyoto/Osaka by train to Kinossaki Onsen, explore the town
- Day 2: Take the JR train from Kinossaki Onsen to Takeno  
Enjoy either the Sea Kayaking Adventure (with or without BBQ set)  
Explore townscape and hiking spots
- Day 3: Have breakfast in your ryokan and then check out of Kinossaki Onsen  
Return to Kyoto/Osaka





[Kinosaki Onsen](#) is a town of time-honored hot springs dating back 1300 years ago. It is home to seven public bathhouses, all located within walking distance of each other and the train station. Guests are encouraged to wear yukata and geta, stroll through the town, and go onsen-hopping.

[Toyooka](#) is a downtown area home to the Oriental White Stork, a bird that was revived from extinction in this very town. The city's efforts restored the Oriental White Stork population, and now about 140 fly the skies of Japan. Toyooka is also known for the Genbudo Caves.



[Izushi](#) is the resident castle town, popular for its nostalgic atmosphere of Edo-era Japan. It is home to many interesting attractions such as castle ruins, a samurai house, a kabuki theater, and a clock tower. The town's specialty is Izushi Sara Soba, buckwheat noodles served in small portions on small plates.

[Kannabe](#) is a mountainous area with fun activities year-round. In the winter, one can go skiing, snowboarding, snowshoeing, and sledding. In the warm months, one can go camping, paragliding, fishing, tree climbing, and more. Kannabe is the perfect destination for adventurers.



[Takeno](#) is a quaint fisherman town that is a hidden gem among the northern coast of Hyogo Prefecture. The beach has clear, blue waters while the mountains surrounding it offer great hiking opportunities. It is encouraged to stroll through the peaceful town, where one can find small shops and traditional landscapes.

[Tanto](#) is a quiet countryside town with magnificent nature—including a giant field of tulips in the spring and brilliant red-leaved trees in the fall.

